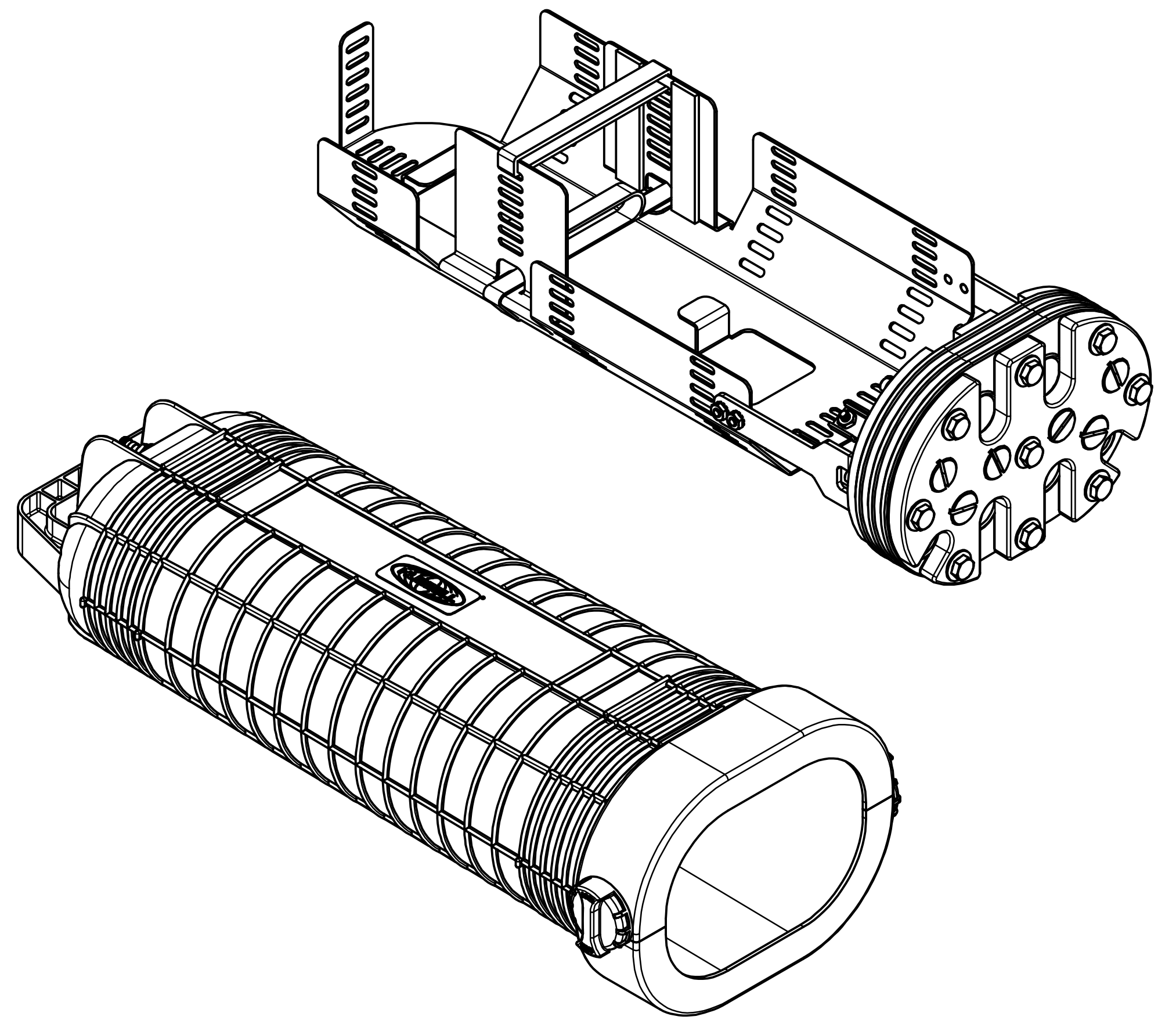
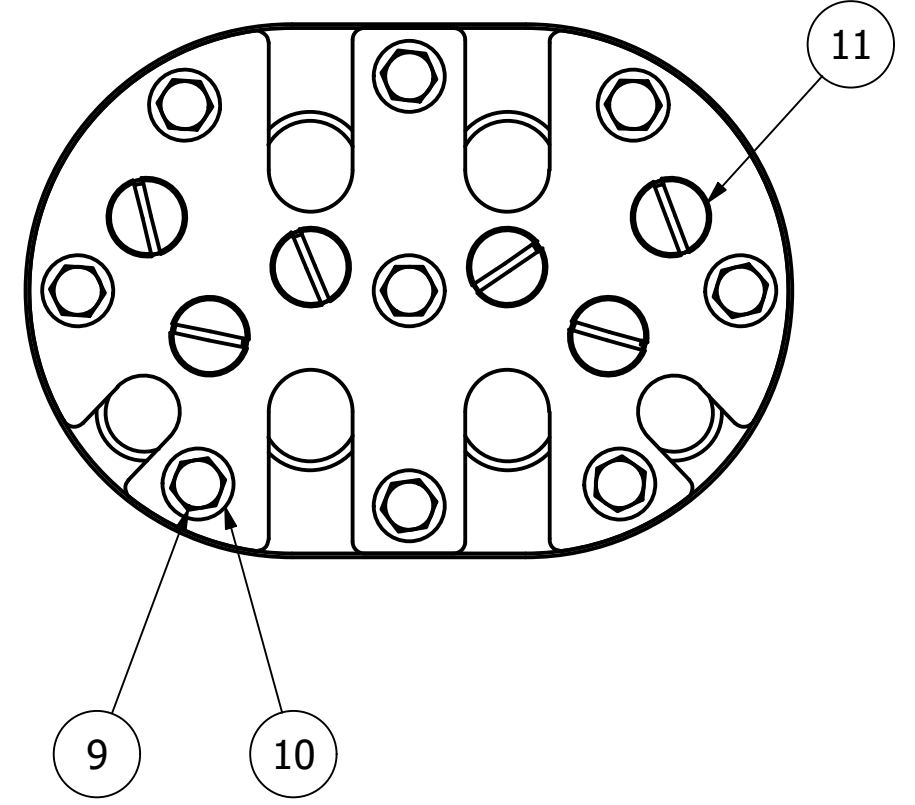
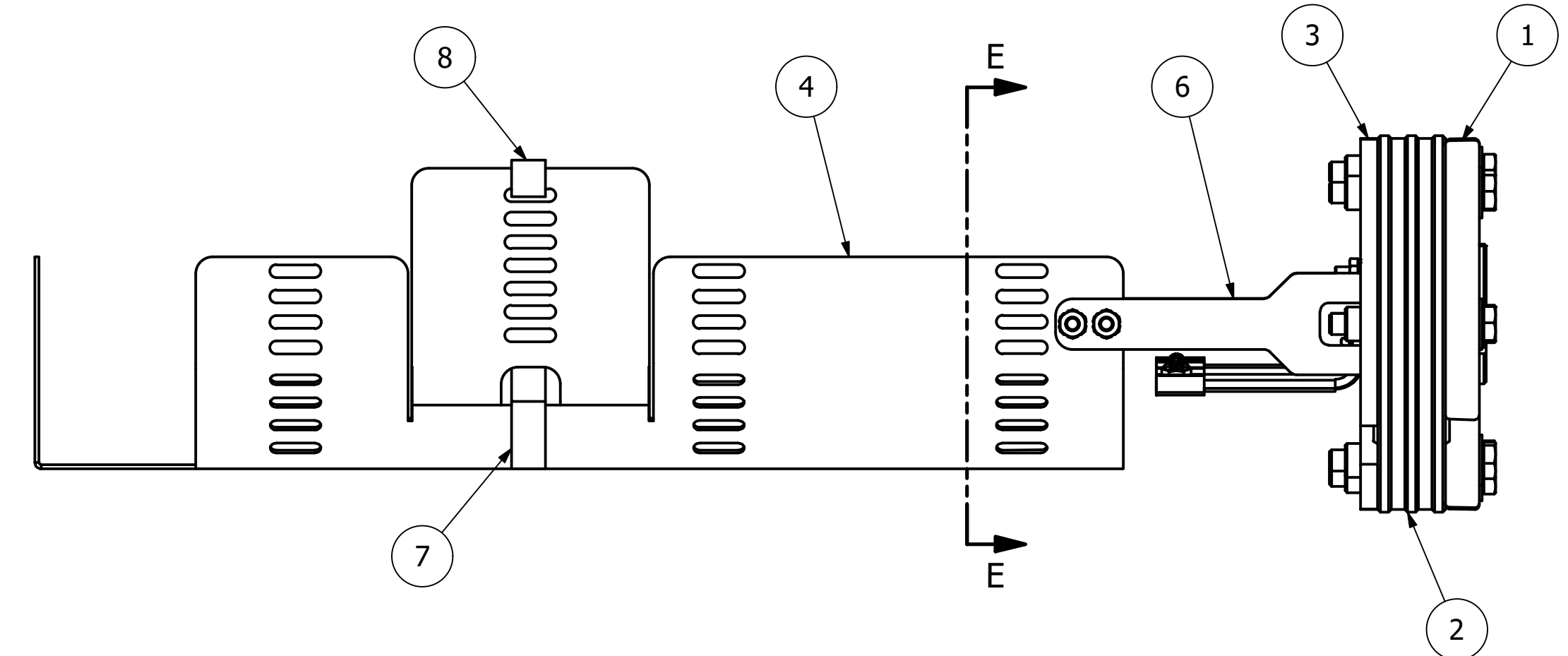
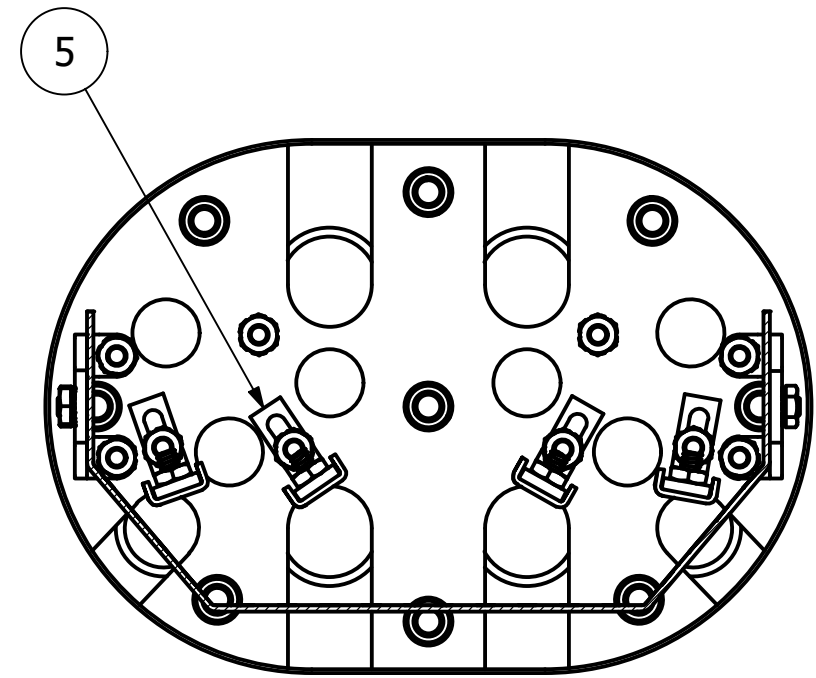
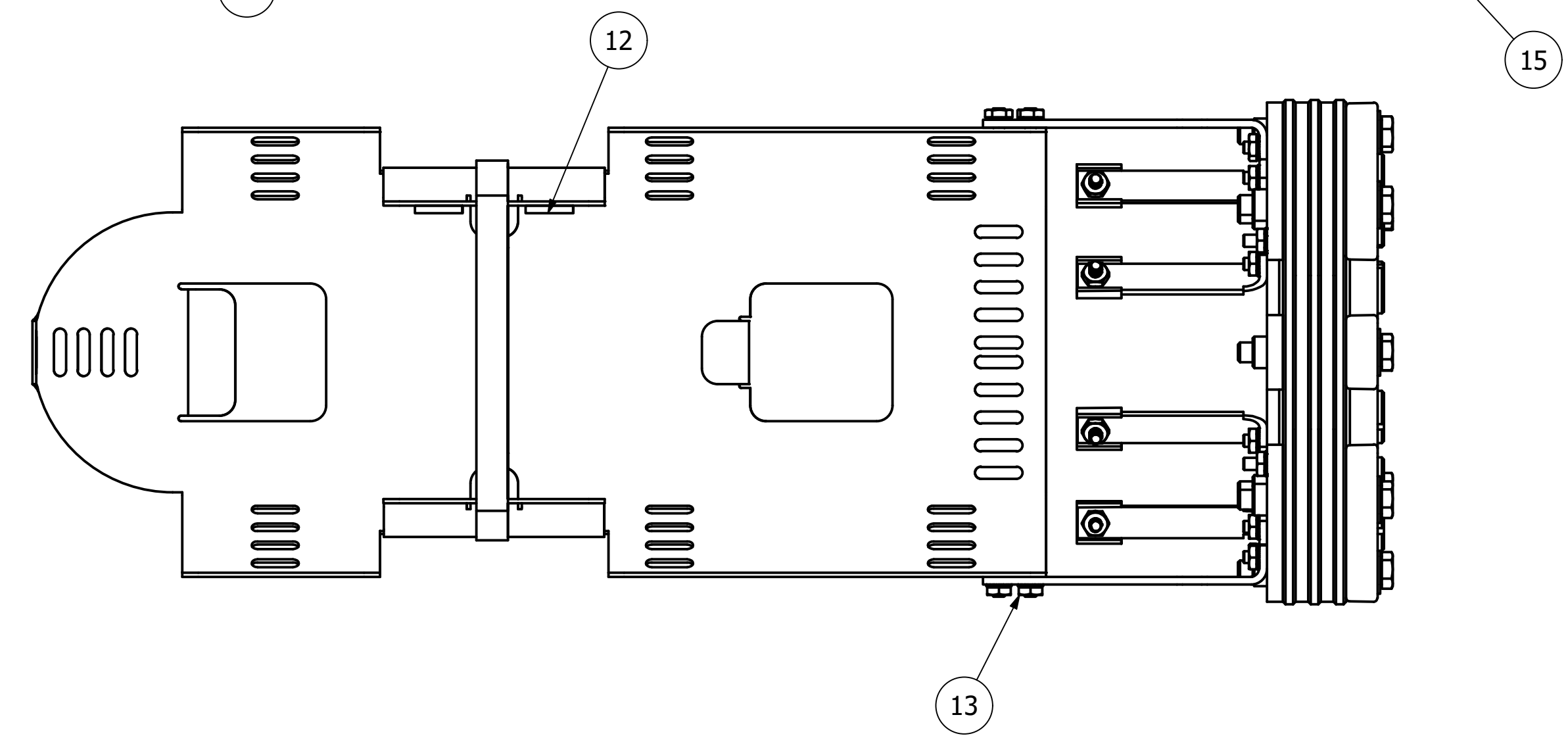
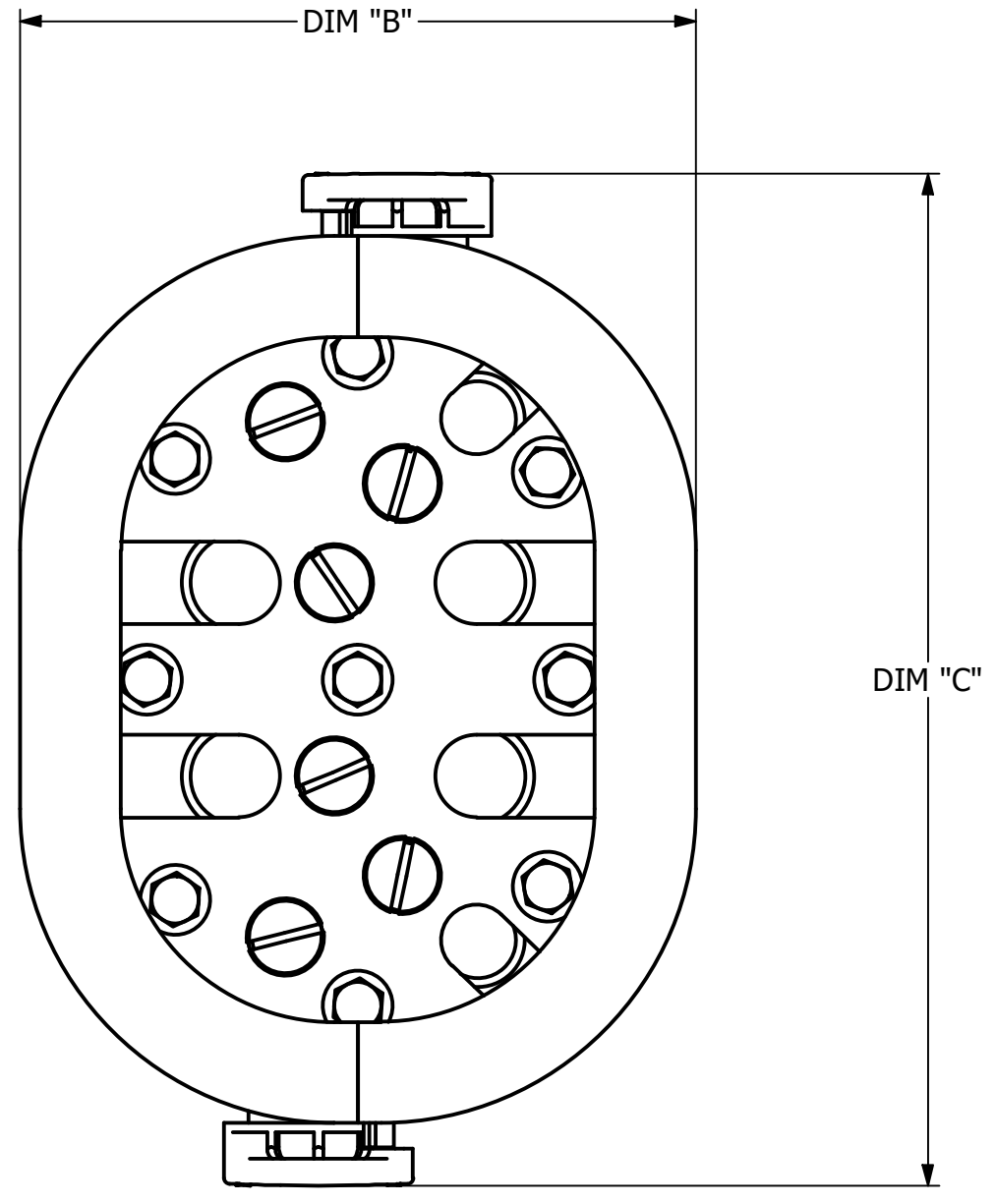
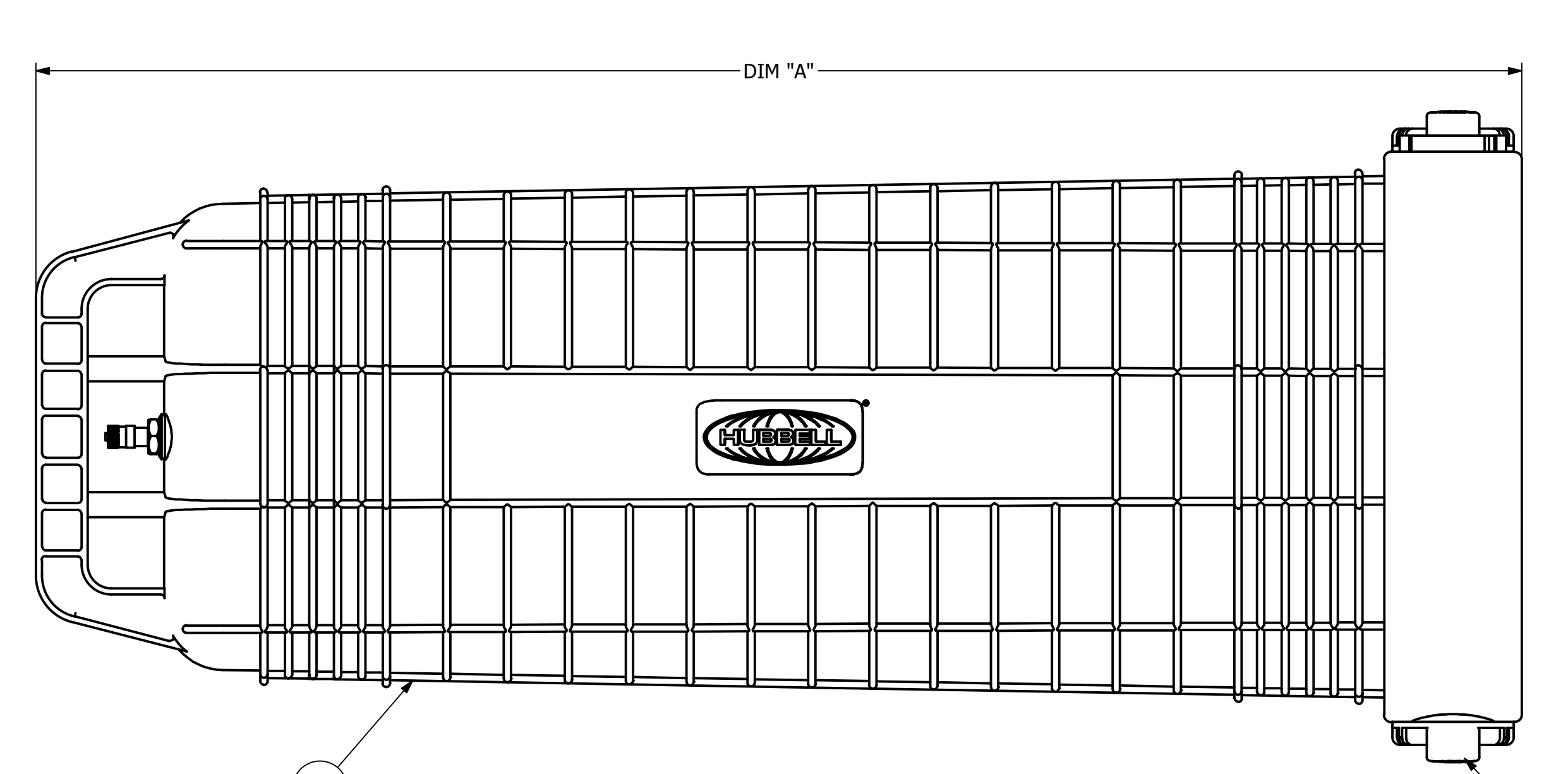


| CATALOG NO. | DESCRIPTION                       | DIM "A"<br>IN. [MM] | DIM "B"<br>IN. [MM] | DIM "C"<br>IN. [MM] | WEIGHT<br>LBS. [KG] | STANDARD<br>PACK | GOODIE<br>BAG |
|-------------|-----------------------------------|---------------------|---------------------|---------------------|---------------------|------------------|---------------|
| PSCA570S    | DOME CLOSURE 570 AD STANDARD TRAY | 24.550<br>[622.30]  | 7.160<br>[181.86]   | 10.726<br>[272.44]  | 13.000<br>[5.90]    | 1                | 1             |

| CABLE TYPE | CABLE PORT CAPACITY (DIA.) |       |         |       |
|------------|----------------------------|-------|---------|-------|
|            | BACKBONE                   |       | LATERAL |       |
|            | MIN.                       | MAX.  | MIN.    | MAX.  |
| ADSS       | .250"                      | .875" | .250"   | .750" |

| ITEM | DESCRIPTION                                      | QTY |
|------|--------------------------------------------------|-----|
| 1    | 570 OUTSIDE PLATE, INJECTION MOLDED              | 1   |
| 2    | ELASTOMER - 570                                  | 1   |
| 3    | PLATE, INSIDE 570 ALUMINUM                       | 1   |
| 4    | ASSEMBLY, 570 PLATFORM                           | 1   |
| 5    | 720 STAND OFF                                    | 4   |
| 6    | STORAGE PLATFORM SIDE MOUNT                      | 2   |
| 7    | 24 IN VELCRO FOR 570 PLATFORM                    | 1   |
| 8    | 12 IN OF PS94905K33 FOR STANDARD TRAY HOLDER     | 1   |
| 9    | 5/16-18x 2.25 HEX CAP SCREW, 316 STAINLESS STEEL | 9   |
| 10   | 5/16 FLAT WASHER, 316 STAINLESS STEEL            | 9   |
| 11   | PLUG, 1/2-NPT THREADED                           | 6   |
| 12   | 3.5 IN NEOPRENE TAPE                             | 2   |
| 13   | K-LOCK NUT, #10-24, ZINC PLATED                  | 14  |
| 14   | 570 DOME HOUSING ASSEMBLY                        | 1   |
| 15   | 570 COLLAR ASSEMBLY                              | 2   |

| GOODIE BAG |                                                   |     |
|------------|---------------------------------------------------|-----|
| ITEM       | DESCRIPTION                                       | QTY |
| 1          | 24" SPIRAL WRAP                                   | 1   |
| 2          | RTV SILICONE ADHESIVE & SEALANT, ORIGINAL PACKAGE | 1   |
| 3          | ROLL OF 7 PCS OF VELCRO QWIKTIE                   | 2   |



NOTES:

- ALL DIMENSIONS FOR REFERENCE ONLY. DISTANCE IN. [MM], FORCE LBS. [kN], TORQUE IN. LBS. [N.m], & WEIGHT LBS. [KG]
- RATINGS:  
A. NA
- CERTIFICATIONS, SPECIFICATIONS, & STANDARDS:  
A. NA
- SUFFIXES & VARIANT CONFIGURATION:  
A. NA

| EC #         | DATE     | CHANGED BY | CHECKED BY | APPROVED BY | WEIGHT, LBS |
|--------------|----------|------------|------------|-------------|-------------|
| 210225005396 | 02/25/21 | MK         | AA         | SD          | SEE TABLE   |

THIRD ANGLE PROJECTION

CONFIDENTIAL: THIS DRAWING AND ITS CONTENTS ARE CONFIDENTIAL AND THE EXCLUSIVE PROPERTY OF HUBBELL POWER SYSTEMS. NO PUBLICATION, DISTRIBUTION OR COPIES MAY BE MADE WITHOUT THE WRITTEN CONSENT OF HUBBELL POWER SYSTEMS. HUBBELL POWER SYSTEMS UNPUBLISHED ALL RIGHTS RESERVED UNDER THE COPYRIGHT LAWS

**HUBBELL** POWER SYSTEMS, Inc.

TITLE: **570 AD CLOSURE, STANDARD TRAY**

CATALOG NUMBER: **SEE TABLE**

|                |                          |                                  |                |
|----------------|--------------------------|----------------------------------|----------------|
| SIZE: <b>D</b> | DWG NO.: <b>CC-27108</b> | PART / ASSY NO.: <b>PSCA570S</b> | REV: <b>00</b> |
|----------------|--------------------------|----------------------------------|----------------|

SCALE: **3 : 8**    DRN BY: **MK**    DATE: **11/27/20**    SHEET **1** OF **1**